

## **3-TIER PRICING AVAILABLE**

- Full Containers: direct ship to east, west, or gulf coast ports
- Volume: 20,000 lb. minimum FOB Selma, NC
- Warehouse: \$1,000.00 minimum. FOB Selma, NC



## **Available Stock Bearings**

- Disc Harrow Bearings
- Pillow Block Bearings
- Cast Flange Bearings
- Tapered Roller Bearings
- Radial Ball Bearings

Agmate stocks a wide variety of types of Bearings produced in ISO 9001 Factories that meet, or exceed, the standards of the American Bearing Manufacturers Association ( ABMA). Special order sizes/styles available.



## **Roller Chain & Sprockets**

Agmate stocks a wide range of roller chain, connecting links, and chain sprockets that are produced in ISO TS16969 certified factories. The manufacturing process produces chain that meets, or exceeds, ANSI standards. The pre-stretched roller chain is treated with rust prohibitive oil and packaged in 10 ft. boxes or 50/100 ft. rolls.

***Special Order chain- Cut to length, stainless steel, and nickel plated is available to accommodate specific applications.***

## **The Agmate Advantage**

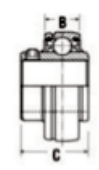
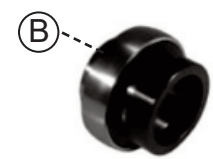
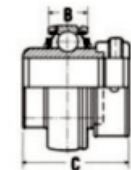
**Blanket Orders welcome. Agmate will make every effort to make sure your needs are in stock for your specified release dates. This keeps your valuable capital free to use until product is needed. We work in partnership with customers' projected needs, assuring you a source for quick shipments.**

*Cross reference numbers and reference to manufacturers names are not to imply original OEM components*

# Insert Bearings

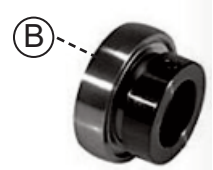
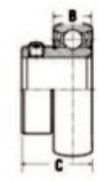
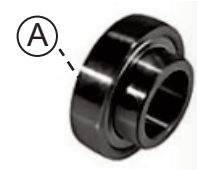
## UC and HC Series Bearings • Spherical (Rounded O.D.)

| Bearing Description                           | Similar to Fafnir No. | Dimensions in Inches |      |      |      | Relube |
|---|-----------------------|----------------------|------|------|------|--------|
|   |                       | I.D.                 | O.D. | B    | C    |        |
| A Set Screw Collar • Spherical (Rounded) O.D. |                       |                      |      |      |      |        |
| UC 204-12                                     | GC1012KRRB            | 3/4                  | 1.85 | .63  | 1.22 | Yes    |
| UC 205-14                                     | GC1014KRRB            | 7/8                  | 2.05 | .67  | 1.34 | Yes    |
| UC 205-15                                     | GC1015KRRB            | 15/16                | 2.05 | .67  | 1.34 | Yes    |
| UC 205-16                                     | GC1100KRRB            | 1                    | 2.05 | .67  | 1.34 | Yes    |
| UC 206-18                                     | GC1102KRRB            | 1 1/8                | 2.44 | .75  | 1.50 | Yes    |
| UC 206-19                                     | GC1103KRRB            | 1 3/16               | 2.44 | .75  | 1.50 | Yes    |
| UC 206-20                                     | GC1103KRRB3           | 1 1/4 <sup>4SM</sup> | 2.44 | .75  | 1.50 | Yes    |
| UC 207-20                                     | GC1104KRRB            | 1 1/4                | 2.83 | .79  | 1.69 | Yes    |
| UC 207-22                                     | GC1106KRRB            | 1 3/8                | 2.83 | .79  | 1.69 | Yes    |
| UC 207-23                                     | GC1107KRRB            | 1 7/16               | 2.83 | .79  | 1.69 | Yes    |
| UC 208-24                                     | GC1108KRRB            | 1 1/2                | 3.15 | .83  | 1.94 | Yes    |
| UC 209-28                                     | GC1112KRRB            | 1 3/4                | 3.35 | .87  | 1.94 | Yes    |
| UC 210-31                                     | GC1114KRRB            | 1 15/16              | 3.54 | .91  | 2.03 | Yes    |
| UC 211-32                                     | GC1200KRRB            | 2                    | 3.94 | .94  | 2.19 | Yes    |
| B Eccentric Collar • Spherical (Rounded) O.D. |                       |                      |      |      |      |        |
| HC 204-12                                     | G1012KRRB             | 3/4                  | 1.85 | .63  | 1.72 | Yes    |
| HC 205-16                                     | G1100KRRB             | 1                    | 2.05 | .67  | 1.75 | Yes    |
| HC 206-18                                     | G1102KRRB             | 1 1/8                | 2.44 | .75  | 1.91 | Yes    |
| HC 206-19                                     | G1103KRRB             | 1 3/16               | 2.44 | .75  | 1.91 | Yes    |
| HC 206-20                                     | G1103KRRB3            | 1 1/4 <sup>4SM</sup> | 2.44 | .75  | 1.91 | Yes    |
| HC 207-20                                     | G1104KRRB             | 1 1/4                | 2.83 | .79  | 2.02 | Yes    |
| HC 207-22                                     | G1106KRRB             | 1 3/8                | 2.83 | .79  | 2.02 | Yes    |
| HC 207-23                                     | G1107KRRB             | 1 7/16               | 2.83 | .79  | 2.02 | Yes    |
| HC 208-24                                     | G1108KRRB             | 1 1/2                | 3.15 | .86  | 2.22 | Yes    |
| HC 209-28                                     | G1112KRRB             | 1 3/4                | 3.35 | .87  | 2.22 | Yes    |
| HC 211-32                                     | G1200KRRB             | 2                    | 3.94 | .94  | 2.81 | Yes    |
| HC 211-35                                     | G1203KRRB             | 2 3/16               | 3.94 | .94  | 2.81 | Yes    |
| HC 215-47                                     | G1215KRRB             | 2 15/16              | 5.12 | 1.18 | 3.37 | Yes    |



## SB and SA Series Bearings • Spherical (Rounded O.D.)

| Bearing Description                           | Similar to Fafnir No. | Dimensions in Inches |      |     |      | Relube |
|---|-----------------------|----------------------|------|-----|------|--------|
|   |                       | I.D.                 | O.D. | B   | C    |        |
| A Set Screw Collar • Spherical (Rounded) O.D. |                       |                      |      |     |      |        |
| SB 202-10                                     | YA010RRB              | 5/8                  | 1.57 | .47 | .87  | No     |
| SB 204-12                                     | YA012RRB              | 3/4                  | 1.85 | .55 | .98  | No     |
| SB 204-12                                     | YA012RRB              | 3/4                  | 1.85 | .55 | .98  | No     |
| SB 205-14                                     | YA014RRB              | 7/8                  | 2.05 | .59 | 1.06 | No     |
| SB 205-16                                     | YA100RRB              | 1                    | 2.05 | .59 | 1.06 | No     |
| SB 206-18G                                    | YA102RRB              | 1 1/8                | 2.44 | .63 | 1.18 | Yes    |
| SB 206-19                                     | YA103RRB              | 1 3/16               | 2.44 | .63 | 1.18 | No     |
| SB 206-20                                     | YA103RRB2             | 1 1/4 <sup>4SM</sup> | 2.44 | .63 | 1.18 | No     |
| SB 206-20G                                    | YA103RRB2             | 1 1/4 <sup>4SM</sup> | 2.44 | .63 | 1.18 | Yes    |
| SB 207-20G                                    | YA104RRB2             | 1 1/4                | 2.83 | .67 | 1.26 | Yes    |
| SB 207-20                                     | YA104RRB              | 1 1/4                | 2.83 | .67 | 1.26 | No     |
| SB 207-23                                     | YA107RRB              | 1 7/16               | 2.83 | .67 | 1.26 | No     |
| SB 207-23G                                    | YA107RRB              | 1 7/16               | 2.83 | .67 | 1.26 | Yes    |
| SB 208-24                                     | YA108RRB              | 1 1/2                | 3.15 | .71 | 1.34 | No     |
| B Eccentric Collar • Spherical (Rounded) O.D. |                       |                      |      |     |      |        |
| Bearing Description                           | Similar to Fafnir No. | Dimensions in Inches |      |     |      | Relube |
|   |                       | I.D.                 | O.D. | B   | C    |        |
| SA 202-10                                     | RA010RRB              | 5/8                  | 1.57 | .51 | 1.12 | No     |
| SA 204-12                                     | RA012RRB              | 3/4                  | 1.85 | .55 | 1.22 | No     |
| SA 205-14                                     | RA014RRB              | 7/8                  | 2.04 | .59 | 1.22 | No     |
| SA 205-16G                                    | GRA100RRB             | 1                    | 2.04 | .59 | 1.22 | No     |
| SA 206-18                                     | RA102RRB              | 1 1/8                | 2.44 | .63 | 1.41 | No     |
| SA 206-19                                     | RA103RRB              | 1 3/16               | 2.44 | .63 | 1.41 | No     |
| SA 206-20                                     | RA103RRB2             | 1 1/4 <sup>4SM</sup> | 2.44 | .63 | 1.41 | No     |
| SA 206-20G                                    | GRA103RRB2            | 1 1/4                | 2.44 | .63 | 1.41 | Yes    |
| SA 207-20                                     | RA104RRB              | 1 1/4                | 2.83 | .67 | 1.53 | No     |
| SA 207-22                                     | RA106RRB              | 1 3/8                | 2.83 | .67 | 1.53 | No     |
| SA 207-23                                     | RA107RRB              | 1 7/16               | 2.83 | .67 | 1.53 | No     |
| SA 208-24                                     | RA108RRB              | 1 1/2                | 3.14 | .71 | 1.72 | No     |



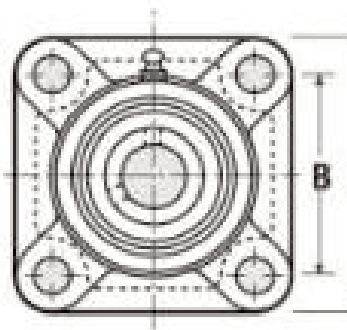
# Mounted Bearings

## Four-Bolt Flange Bearings

- Interchangeable with most domestics including Fafnir RJC, Browning VF4 & MF4 and Sealmaster SF & RF • Regreasable
- Cast Iron Housings

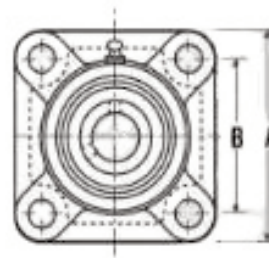
### Set Screw Collar

| Bearing Description | I.D.    | Dimensions in Inches |         | Bolt Size |
|---------------------|---------|----------------------|---------|-----------|
|                     |         | A                    | B       |           |
| UCF 201-8           | 1/2     | 3 3/8                | 2 33/64 | 3/8       |
| UCF 202-10          | 5/8     | 3 3/8                | 2 33/64 | 3/8       |
| UCF 204-2           | 3/4     | 3 3/8                | 2 33/64 | 3/8       |
| UCF 205-14          | 7/8     | 3 3/4                | 2 3/4   | 3/8       |
| UCF 205-16          | 1       | 3 3/4                | 2 3/4   | 3/8       |
| UCF 206-18          | 1 1/8   | 4 1/4                | 3 17/64 | 3/8       |
| UCF 206-19          | 1 3/16  | 4 1/4                | 3 17/64 | 3/8       |
| UCF 206-20          | 1 1/4   | 4 1/4                | 3 17/64 | 3/8       |
| UCF 207-20          | 1 1/4   | 4 19/32              | 3 5/8   | 7/16      |
| UCF 207-22          | 1 3/8   | 4 19/32              | 3 5/8   | 7/16      |
| UCF 207-23          | 1 7/16  | 4 19/32              | 3 5/8   | 7/16      |
| UCF 208-24          | 1 1/2   | 5 1/8                | 4 1/64  | 5/8       |
| UCF 208-24          | 1 1/2   | 5 1/8                | 4 1/64  | 1/2       |
| UCF 209-26          | 1 5/8   | 5 13/32              | 4 9/64  | 1/2       |
| UCF 209-27          | 1 11/16 | 5 13/32              | 4 9/64  | 1/2       |
| UCF 209-28          | 1 3/4   | 5 13/32              | 4 9/64  | 1/2       |
| UCF 210-31          | 1 15/16 | 5 5/8                | 4 3/8   | 1/2       |
| UCF 210-32          | 2       | 5 5/8                | 4 3/8   | 1/2       |
| UCF 211-32          | 2       | 6 3/8                | 5 1/8   | 5/8       |
| UCF 211-35          | 2 3/16  | 6 3/8                | 5 1/8   | 5/8       |
| UCF 212-36          | 2 1/4   | 6 7/8                | 5 5/8   | 5/8       |
| UCF 212-39          | 2 7/16  | 6 7/8                | 5 5/8   | 5/8       |
| UCF 213-40          | 2 1/2   | 7 3/8                | 5 55/64 | 5/8       |
| UCF 215-47          | 2 15/16 | 7 1/8                | 6 17/64 | 5/8       |
| UCF 215-48          | 3       | 7 7/8                | 6 17/64 | 5/8       |



### Eccentric Collar

| Bearing Description | I.D.    | Dimensions in Inches |        | Bolt Size |
|---------------------|---------|----------------------|--------|-----------|
|                     |         | A                    | B      |           |
| HCF 204-12          | 3/4     | 3 3/8                | 2 1/2  | 3/8       |
| HCF 205-16          | 1       | 3 3/4                | 2 3/4  | 3/8       |
| HCF 206-20          | 1 1/4   | 4 1/4                | 3 9/32 | 3/8       |
| HCF 207-20          | 1 1/4   | 4 5/8                | 3 5/8  | 7/16      |
| HCF 207-22          | 1 3/8   | 4 5/8                | 3 5/8  | 7/16      |
| HCF 207-23          | 1 7/16  | 4 5/8                | 3 5/8  | 7/16      |
| HCF 208-24          | 1 1/2   | 5 1/8                | 4      | 1/2       |
| HCF 209-28          | 1 1/4   | 5 3/8                | 4 1/8  | 9/16      |
| HCF 210-31          | 1 15/16 | 5 5/8                | 4 3/8  | 9/16      |
| HCF 211-32          | 2       | 6 3/8                | 5 1/8  | 5/8       |
| HCF 212-39          | 2 7/16  | 6 7/8                | 5 5/8  | 5/8       |



# Mounted Bearings

## Two-Bolt Flange Bearings

- Interchangeable with most domestics including Fafnir RCJTC, Browning VF2 and Sealmaster SFT
- Regreasable
- Cast Iron Housings

| Bearing Description | I.D.                           | Dimensions in Inches            |                                 |                                 | Bolt Size | Ship Wt. |
|---------------------|--------------------------------|---------------------------------|---------------------------------|---------------------------------|-----------|----------|
|                     |                                | A                               | E                               | B                               |           |          |
| Set Screw Collar    |                                |                                 |                                 |                                 |           |          |
| UCFL 201-8          | 1/2                            | 4 <sup>7</sup> / <sub>16</sub>  | 3 <sup>35</sup> / <sub>64</sub> | 2 <sup>3</sup> / <sub>8</sub>   | 3/8       | 2        |
| UCFL 202-10         | 5/8                            | 4 <sup>7</sup> / <sub>16</sub>  | 3 <sup>35</sup> / <sub>64</sub> | 2 <sup>3</sup> / <sub>8</sub>   | 3/8       | 2        |
| UCFL 204-12         | 3/4                            | 4 <sup>7</sup> / <sub>16</sub>  | 3 <sup>35</sup> / <sub>64</sub> | 2 <sup>3</sup> / <sub>8</sub>   | 3/8       | 2        |
| UCFL 205-14         | 7/8                            | 5 <sup>1</sup> / <sub>8</sub>   | 3 <sup>57</sup> / <sub>64</sub> | 2 <sup>11</sup> / <sub>16</sub> | 1/2       | 2        |
| UCFL 205-16         | 1                              | 5 <sup>1</sup> / <sub>8</sub>   | 3 <sup>57</sup> / <sub>64</sub> | 2 <sup>11</sup> / <sub>16</sub> | 7/16      | 2        |
| UCFL 205-16         | 1                              | 5 <sup>1</sup> / <sub>8</sub>   | 3 <sup>57</sup> / <sub>64</sub> | 2 <sup>11</sup> / <sub>16</sub> | 5/8       | 2        |
| UCFL 206-18         | 1 <sup>1</sup> / <sub>8</sub>  | 5 <sup>13</sup> / <sub>16</sub> | 4 <sup>39</sup> / <sub>64</sub> | 3 <sup>5</sup> / <sub>32</sub>  | 1/2       | 3        |
| UCFL 206-19         | 1 <sup>3</sup> / <sub>16</sub> | 5 <sup>13</sup> / <sub>16</sub> | 4 <sup>39</sup> / <sub>64</sub> | 3 <sup>5</sup> / <sub>32</sub>  | 1/2       | 3        |
| UCFL 206-20         | 1 <sup>1</sup> / <sub>4</sub>  | 5 <sup>13</sup> / <sub>16</sub> | 4 <sup>39</sup> / <sub>64</sub> | 3 <sup>5</sup> / <sub>32</sub>  | 1/2       | 3        |
| UCFL 207-20         | 1 <sup>1</sup> / <sub>4</sub>  | 6 <sup>1</sup> / <sub>8</sub>   | 5 <sup>1</sup> / <sub>8</sub>   | 3 <sup>3</sup> / <sub>4</sub>   | 1/2       | 3        |
| UCFL 207-22         | 1 <sup>3</sup> / <sub>8</sub>  | 6 <sup>11</sup> / <sub>32</sub> | 5 <sup>1</sup> / <sub>8</sub>   | 3 <sup>17</sup> / <sub>32</sub> | 1/2       | 3        |
| UCFL 207-23         | 1 <sup>7</sup> / <sub>16</sub> | 6 <sup>11</sup> / <sub>32</sub> | 5 <sup>1</sup> / <sub>8</sub>   | 3 <sup>17</sup> / <sub>32</sub> | 1/2       | 3        |
| UCFL 208-24         | 1 <sup>1</sup> / <sub>2</sub>  | 6 <sup>7</sup> / <sub>8</sub>   | 5 <sup>43</sup> / <sub>64</sub> | 4 <sup>1</sup> / <sub>8</sub>   | 1/2       | 4        |
| UCFL 209-28         | 1 <sup>3</sup> / <sub>4</sub>  | 7 <sup>13</sup> / <sub>32</sub> | 5 <sup>53</sup> / <sub>64</sub> | 4 <sup>1</sup> / <sub>4</sub>   | 5/8       | 5        |
| UCFL 211-32         | 2                              | 8 <sup>13</sup> / <sub>16</sub> | 7 <sup>1</sup> / <sub>4</sub>   | 5 <sup>1</sup> / <sub>8</sub>   | 5/8       | 7        |

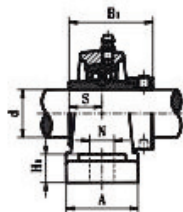
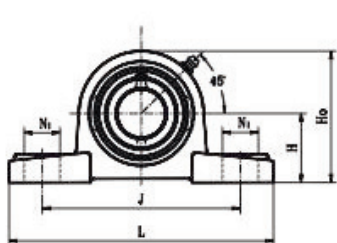


| Bearing Description | I.D.                          | Dimensions in Inches           |                                 |                               | Bolt Size | Ship Wt. |
|---------------------|-------------------------------|--------------------------------|---------------------------------|-------------------------------|-----------|----------|
|                     |                               | A                              | E                               | B                             |           |          |
| Eccentric Collar    |                               |                                |                                 |                               |           |          |
| SAFL 205-14         | 7/8                           | 3 <sup>3</sup> / <sub>4</sub>  | 3                               | 2 <sup>1</sup> / <sub>2</sub> | 5/16      | 2        |
| SAFL 205-16G        | 1                             | 4 <sup>7</sup> / <sub>8</sub>  | 3 <sup>57</sup> / <sub>64</sub> | 2 <sup>3</sup> / <sub>4</sub> | 3/8       | 2        |
| SAFL 205-16         | 1                             | 4 <sup>7</sup> / <sub>8</sub>  | 3 <sup>57</sup> / <sub>64</sub> | 2 <sup>3</sup> / <sub>4</sub> | 3/8       | 2        |
| SAFL 206-20G        | 1 <sup>1</sup> / <sub>4</sub> | 5 <sup>9</sup> / <sub>16</sub> | 4 <sup>19</sup> / <sub>32</sub> | 3 <sup>1</sup> / <sub>4</sub> | 1/2       | 3        |

# Mounted Bearings

## Pillow Block Bearings

- Interchangeable with most domestics, including Fafnir RASC, Browning VPS & VPE and Sealmaster NP & RP
- Regreasable
- Cast Iron Housings



| Bearing Description            | Dimensions in Inches |          |         |         |         | Bolt Size |
|--------------------------------|----------------------|----------|---------|---------|---------|-----------|
|                                | I.D.                 | A        | B       | C       | D       |           |
| UCP 201-08                     | 1/2                  | 5        | 3 3/4   | 1 3/16  | 2 13/32 | 3/8       |
| SBLP 202-10                    | 5/8                  | 4 1/2    | 3 7/16  | 1 3/16  | 2 1/4   | 3/8       |
| UCP 202-10                     | 5/8                  | 5        | 3 3/4   | 1 3/16  | 2 13/32 | 3/8       |
| UCP 204-12                     | 3/4                  | 5        | 3 3/4   | 1 5/16  | 2 1/2   | 3/8       |
| P204 housing only for 1.85" OD | 3/4                  | 5        | 3 3/4   | 1 5/16  | 2 7/32  | 3/8       |
| UCP 205-14                     | 7/8                  | 5 1/2    | 4 1/8   | 1 7/16  | 2 3/4   | 1/2       |
| UCP 205-16                     | 1                    | 5 1/2    | 4 1/8   | 1 7/16  | 2 3/4   | 1/2       |
| UCP 206-18                     | 1 1/8                | 6 5/16   | 4 3/4   | 1 11/16 | 3 7/32  | 1/2       |
| UCP 206-19                     | 1 3/16               | 6 5/16   | 4 3/4   | 1 11/16 | 3 7/32  | 1/2       |
| UCP 206-20                     | 1 1/4                | 6 5/16   | 4 3/4   | 1 11/16 | 3 7/32  | 1/2       |
| UCP 207-20                     | 1 1/4                | 6 5/16   | 4 3/4   | 1 7/8   | 3 5/8   | 1/2       |
| UCP 207-22                     | 1 3/8                | 6 9/16   | 4 3/4   | 1 7/8   | 3 5/8   | 1/2       |
| UCP 207-23                     | 1 7/16               | 6 9/16   | 4 3/4   | 1 7/8   | 3 5/8   | 1/2       |
| UCP 208-24                     | 1 1/2                | 7 3/32   | 5 3/8   | 1 15/16 | 3 27/32 | 1/2       |
| UCP 209-26                     | 1 5/8                | 7 7/16   | 5 3/4   | 2 1/8   | 4 5/32  | 1/2       |
| UCP 209-27                     | 1 11/16              | 7 7/16   | 5 3/4   | 2 1/8   | 4 5/32  | 1/2       |
| UCP 209-28                     | 1 3/4                | 7 7/16   | 5 3/4   | 2 1/8   | 4 5/32  | 1/2       |
| UCP 210-30                     | 1 7/8                | 8 1/32   | 6 1/4   | 2 1/4   | 4 13/32 | 5/8       |
| UCP 210-31                     | 1 15/16              | 8 1/8    | 6 1/4   | 2 1/4   | 4 7/16  | 5/8       |
| UCP 210-32                     | 2                    | 8 1/8    | 6 1/4   | 2 1/4   | 4 7/16  | 5/8       |
| UCP 211-32                     | 2                    | 8 17/32  | 6 23/32 | 2 1/2   | 4 23/32 | 5/8       |
| UCP 211-35                     | 2 3/16               | 8 17/32  | 6 23/32 | 2 1/2   | 4 23/32 | 5/8       |
| UCP 212-36                     | 2 1/4                | 9 3/8    | 7 7/16  | 2 3/4   | 5 15/32 | 5/8       |
| UCP 212-38                     | 2 3/8                | 9 3/8    | 7 7/16  | 2 3/4   | 5 15/32 | 5/8       |
| UCP 212-39                     | 2 7/16               | 9 3/8    | 7 7/16  | 2 3/4   | 5 15/32 | 5/8       |
| UCP 213-40                     | 2 1/2                | 10 5/16  | 8       | 3       | 5 7/8   | 3/4       |
| UCP 215-47                     | 2 15/16              | 10 25/32 | 8 17/32 | 3 1/4   | 6 3/8   | 3/4       |
| UCP 215-48                     | 3                    | 10 25/32 | 8 17/32 | 3 1/4   | 6 3/8   | 3/4       |
| <b>Eccentric Collar</b>        |                      |          |         |         |         |           |
| HCP 202-10                     | 5/8                  | 5        | 3 3/4   | 1 13/16 | 2 13/32 | 3/8       |
| HCP 204-12                     | 3/4                  | 5        | 3 3/4   | 1 5/16  | 2 1/2   | 3/8       |
| HCP 205-14                     | 7/8                  | 5 1/2    | 4 1/8   | 1 7/16  | 2 3/4   | 3/8       |
| HCP 205-16                     | 1                    | 5 1/2    | 4 1/8   | 1 7/16  | 2 3/4   | 3/8       |
| HCP 206-18                     | 1 1/8                | 6 5/16   | 4 3/4   | 1 11/16 | 3 7/32  | 1/2       |
| HCP 206-19                     | 1 3/16               | 6 5/16   | 4 3/4   | 1 11/16 | 3 7/32  | 1/2       |
| HCP 206-20                     | 1 1/4                | 6 5/16   | 4 3/4   | 1 11/16 | 3 7/32  | 1/2       |
| HCP 207-20                     | 1 1/4                | 6 9/16   | 4 31/32 | 1 7/8   | 3 5/8   | 1/2       |
| HCP 207-22                     | 1 3/8                | 6 9/16   | 4 31/32 | 1 7/8   | 3 5/8   | 1/2       |
| HCP 207-23                     | 1 7/16               | 6 9/16   | 4 31/32 | 1 7/8   | 3 5/8   | 1/2       |
| HCP 208-24                     | 1 1/2                | 7 3/32   | 5 3/8   | 1 15/16 | 3 27/32 | 1/2       |
| HCP 209-28                     | 1 3/4                | 7 7/16   | 5 3/4   | 2 1/8   | 4 5/32  | 1/2       |
| HCP 210-31                     | 1 15/16              | 8 1/32   | 6 1/4   | 2 1/4   | 4 13/32 | 5/8       |
| HCP 210-32                     | 2                    | 8 1/32   | 6 1/4   | 2 1/4   | 4 13/32 | 5/8       |
| HCP 211-32                     | 2                    | 8 17/32  | 6 23/32 | 2 1/2   | 4 23/32 | 5/8       |
| HCP 211-35                     | 3 3/16               | 8 17/32  | 6 23/32 | 2 1/2   | 4 23/32 | 5/8       |
| HCP 212-39                     | 2 7/16               | 9 3/8    | 7 7/16  | 2 3/4   | 5 15/32 | 5/8       |
| HCP 215-47                     | 2 15/16              | 10 25/32 | 8 17/32 | 3 1/4   | 6 3/8   | 3/4       |



## 2-Bolt Stamped Flange

| Part # | size (bearing OD) | type   | # bolts | style      | Lutco #  | Manitou # |
|--------|-------------------|--------|---------|------------|----------|-----------|
| 17970  | 47MM              | flange | 2       | non-relube | 47MST-ZP | 47M-2ZP   |
| 17972  | 52MM              | flange | 2       | non-relube | 52MST-ZP | 52M-2ZP   |
| 32743  | 62MM              | flange | 2       | non-relube | 62MST-ZP | 62M-2ZP   |



## 3-Bolt Round Stamped Flange

| Part # | size (bearing OD) | type  | # bolts | style      | Lutco #   | Manitou # |
|--------|-------------------|-------|---------|------------|-----------|-----------|
| 17968  | 40MM              | round | 3       | non-relube | 40MS-ZP   | 40MM-3ZP  |
| 17969  | 47MM              | round | 3       | non-relube | 47MS-ZP   | 47MM-3ZP  |
| 30540  | 52MM              | round | 3       | relube     | G52MSA-ZP | 52MM-3GZP |
| 17971  | 52MM              | round | 3       | non-relube | 52MS-ZP   | 52MM-3ZP  |
| 17973  | 62MM              | round | 3       | non-relube | 62MS-ZP   | 62MM-3ZP  |
| 17974  | 72MM              | round | 3       | non-relube | 72MS-ZP   | 72MM-3ZP  |



## 4-Bolt Round Stamped Flange

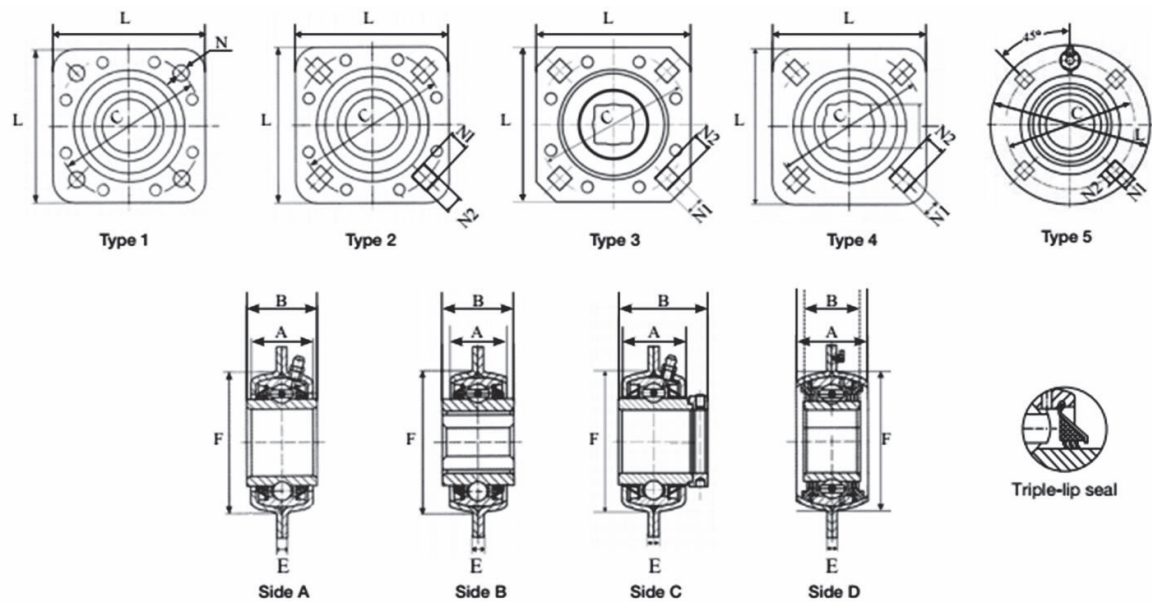
| Part # | size (bearing OD) | type  | # bolts | style      | Lutco #    | Manitou #  |
|--------|-------------------|-------|---------|------------|------------|------------|
| 17976  | 80MM              | round | 4       | relube     | G80MSA-ZP  | 80MM-4GZP  |
| 17975  | 80MM              | round | 4       | non-relube | 80MS-ZP    | 80MM-4ZP   |
| 17979  | 85MM              | round | 4       | relube     | G85MSA-ZP  | 85MM-4GZP  |
| 17978  | 85MM              | round | 4       | non-relube | 85MS-ZP    | 85MM-4ZP   |
| 17982  | 90MM              | round | 4       | non-relube | 90MS-ZP    | 90MM-4ZP   |
| 17984  | 100MM             | round | 4       | relube     | G100MSA-ZP | 100MM-4GZP |
| 17983  | 100MM             | round | 4       | non-relube | 100MS-ZP   | 100MM-4ZP  |



## 4-Bolt Square Stamped Flange

| Part # | size (bearing OD) | type   | # bolts | style      | Lutco #    | Manitou #   |
|--------|-------------------|--------|---------|------------|------------|-------------|
| 17977  | 80MM              | square | 4       | relube     | G80MSB-ZP  | 80MM-4GPZP  |
| 17980  | 85MM              | square | 4       | relube     | G85MSB-ZP  | 85MM-4GPZP  |
| 17981  | 87MM              | square | 4       | non-relube | 87MS-SZP   | 87MM-4ZP    |
| 17985  | 100MM             | square | 4       | relube     | G100MSB-ZP | 100MM-4GPZP |

# ST Series Disc Harrow Bearings

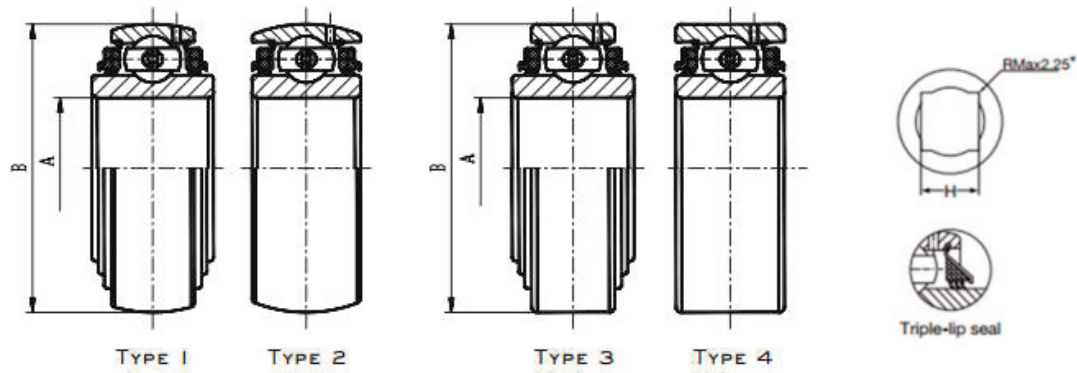


| Bearing Description | Type  |      | Shaft Size In. | A In. | B In. | C In. | Dimensions (in.) |       |       | N1 In. | N2 In. | Load Rating (LBS) |        |
|---------------------|-------|------|----------------|-------|-------|-------|------------------|-------|-------|--------|--------|-------------------|--------|
|                     | Front | Side |                |       |       |       | E In.            | F In. | L In. |        |        | Dynamic           | Static |
| <b>208 Series</b>   |       |      |                |       |       |       |                  |       |       |        |        |                   |        |
| ST208-1N            | 3     | B    | 1 SQ.          | 1.378 | 1.503 | 4.687 | 0.276            | 3.570 | 4.764 | 0.531  | 0.531  | 7328              | 4450   |
| ST208-1 42LTB       | 3     | B    | 1 SQ.          | 1.378 | 1.664 | 4.687 | 0.276            | 3.570 | 4.764 | 0.531  | 0.531  | 7328              | 4450   |
| ST208-1 1/8         | 3     | B    | 1 1/8 SQ.      | 1.378 | 1.503 | 4.687 | 0.276            | 3.570 | 4.764 | 0.531  | 0.531  | 7328              | 4450   |
| ST208-1 1/8N        | 3     | B    | 1 1/8 SQ.      | 1.378 | 1.503 | 4.687 | 0.276            | 3.570 | 4.764 | 0.531  | 0.531  | 7328              | 4450   |
| <b>200 Series</b>   |       |      |                |       |       |       |                  |       |       |        |        |                   |        |
| ST209-1 1/8         | 4     | B    | 1 1/8 SQ.      | 1.654 | 1.685 | 5.000 | 0.276            | 3.859 | 5.000 | 0.531  | 0.687  | 7350              | 4608   |
| ST209-1 1/4         | 4     | B    | 1 1/4 SQ.      | 1.654 | 1.685 | 5.000 | 0.276            | 3.859 | 5.000 | 0.531  | 0.687  | 7350              | 4608   |
| ST491B              | 2     | A    | 1 1/2 RD.      | 1.654 | 1.685 | 5.000 | 0.276            | 3.859 | 5.000 | 0.531  | 0.687  | 7350              | 4608   |
| ST491A              | 1     | A    | 1 3/4 RD.      | 1.654 | 1.685 | 5.000 | 0.276            | 3.859 | 5.000 | 0.531  | 0.687  | 7350              | 4608   |
| ST209-1 3/4 JD KIT  | 5     | D    | 1 3/4 RD.      | 1.945 | 1.438 | 4.478 | 0.331            | 3.680 | 5.866 | 0.528  | 0.528  | 8092              | 4602   |
| <b>211 Series</b>   |       |      |                |       |       |       |                  |       |       |        |        |                   |        |
| ST211-1 1/2         | 4     | B    | 1 1/2 SQ.      | 1.827 | 2.000 | 5.500 | 0.354            | 4.469 | 5.500 | 0.531  | 0.5943 | 9756              | 6564   |
| ST211-1 3/4         | 1     | A    | 1 3/4 RD.      | 1.827 | 2.189 | 5.500 | 0.354            | 4.469 | 5.500 | 0.531  |        | 9756              | 6564   |
| ST211-1 15/16       | 1     | C    | 1 15/16 RD.    | 1.827 | 2.752 | 5.500 | 0.354            | 4.469 | 5.500 | 0.531  |        | 9756              | 6564   |
| ST211-2 3/16        | 1     | A    | 2 3/16 RD.     | 1.750 | 2.189 | 5.500 | 0.354            | 4.469 | 5.500 | 0.531  |        | 9756              | 6564   |
| ST211-2 3/16 JD KIT | 5     | D    | 2 3/16 RD.     | 2.220 | 1.563 | 5.433 | 0.411            | 4.375 | 6.575 | 0.528  | 0.528  | 9756              | 6510   |

# Disc Harrow Bearings - Square Bore, Regreasable



## Triple Lip Seal Series - Relubricatable Type



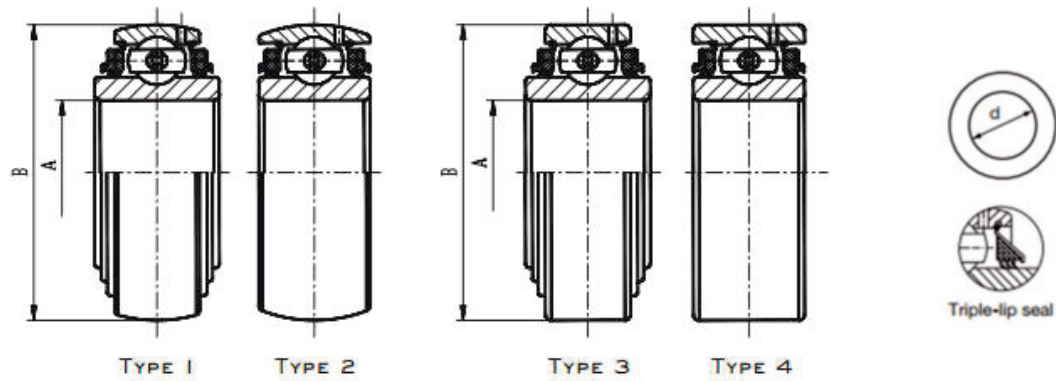
| Bearing Description Fafnir | Bearing Description BCA | Type | Shaft Size | Outer Dimension Inches | Outer Dimension MM |
|----------------------------|-------------------------|------|------------|------------------------|--------------------|
| GW208PPB5                  | DS208TTR5               | 2    | 1-1/8      | 3.1496                 | 80                 |
| GW208PPB8                  | DS208TTR8               | 2    | 1-1/8      | 3.1496                 | 80                 |
| GW208PP17                  | DS208TTR17              | 3    | 1-1/8      | 3.3755                 | 85.738             |
| GW209PPB5                  | DS209TTR5               | 2    | 1-1/4      | 3.3465                 | 85                 |
| GW209PPB8                  | DS209TTR8               | 2    | 1-1/4      | 3.3465                 | 85                 |
| GW210PP4                   | DS210TTR4               | 4    | 1-1/8      | 3.5433                 | 90                 |
| GW210PPB4                  | DS210TTR4               | 1    | 1-1/8      | 3.5433                 | 90                 |
| GW211PP3                   | DC211TTR3               | 4    | 1-1/2      | 3.9370                 | 100                |
| GW211PPB3                  | DS211TTR3               | 1    | 1-1/2      | 3.9370                 | 100                |
| GW211PP17                  | DC211TT4                | 3    | 1-1/2      | 3.9370                 | 100                |
| GW211PPB23                 | DS211TTR23              | 2    | 1-3/4      | 3.98                   | 100                |
| GW211PP27                  | DC211TTR27              | 3    | 1-1/2      | 3.937                  | 100                |



# Disc Harrow Bearings - Round Bore, Regreasable



## Triple Lip Seal Series - Regreasable Type

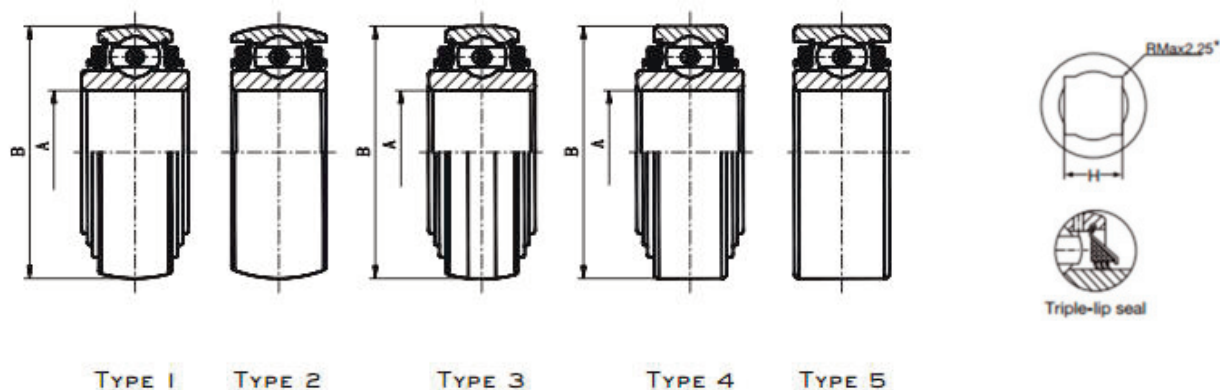


| Bearing Description Fafnir | Bearing Description BCA | Type | Shaft Size | Outer Dimension Inches | Outer Dimension MM |
|----------------------------|-------------------------|------|------------|------------------------|--------------------|
| GW209PPB2                  | DS209TTR2               | 1    | 1-3/4      | 3.3465                 | 85                 |
| GW209PPB4                  | DS209TTR4               | 1    | 1-1/2      | 3.3465                 | 85                 |
| GW209PPB11                 | DS209TTR10              | 2    | 1-3/4      | 3.3465                 | 85                 |
| A3A28184                   | DS209TTR13              | 2    | 1-3/4      | 3.3465                 | 85                 |
| GW210PPB2                  | DS201TTR2               | 1    | 1-15/16    | 3.5433                 | 90                 |
| GW210PPB5                  | DS210TTR5               | 1    | 1-3/4      | 3.5433                 | 90                 |
| GW211PP2                   | DC211TTR2               | 4    | 2-3/16     | 3.9370                 | 100                |
| GW211PPB2                  | DS211TTR2               | 1    | 2-3/16     | 3.9370                 | 100                |
| GW211PPB9                  | DS211TTR9               | 2    | 2-3/16     | 3.9370                 | 100                |
| GW211PPB13                 | DS211TTR13              | 2    | 1-3/4      | 3.9370                 | 100                |
| AA28186                    | DS211TTR20              | 5    | 2-3/16     | 3.9370                 | 100                |

# Disc Harrow Bearings - Square Bore, Non-Regreasable

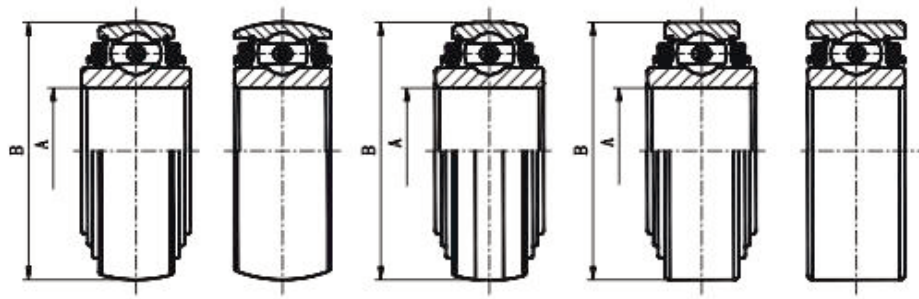


## Triple Lip Seal Series - Non-Lubricatable Type

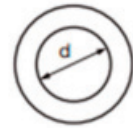


| Bearing Description Fafnir | Bearing Description BCA | Type | Shaft Size | Outer Dimension Inches | Outer Dimension MM |
|----------------------------|-------------------------|------|------------|------------------------|--------------------|
| W208PP5                    | DC208TT5                | 3    | 1-1/8      | 3.1496                 | 80                 |
| W208PPB5                   | DS208TT5                | 2    | 1-1/8      | 3.1496                 | 80                 |
| W208PP6                    | DC208TT6                | 3    | 1          | 3.1496                 | 80                 |
| W208PPB6                   | DC208TT6                | 2    | 1          | 3.1496                 | 80                 |
| W208PP8                    | DC208TT8                | 3    | 1-1/8      | 3.1496                 | 80                 |
| W208PPB8                   | DC208TT8                | 2    | 1-1/8      | 3.1496                 | 80                 |
| W208PPB11                  | DC208TT11               | 5    | 7/8        | 3.3760                 | 85.75              |
| W208PPB12                  | DS208TT12               | 5    | 1-1/8      | 3.3760                 | 85.75              |
| W208PPB13                  | DS208TT13               | 2    | 7/8        | 3.1496                 | 80                 |
| W209PPB5                   | DS209TT5                | 2    | 1-1/4      | 3.3465                 | 85                 |
| W210PP4                    | DC210TT4                | 4    | 1-1/8      | 3.5433                 | 90                 |
| W210PPB4                   | DS210TT4                | 1    | 1-1/8      | 3.5433                 | 90                 |
| W210PPB6                   | DS210TT1                | 2    | 1-1/8      | 3.5433                 | 90                 |
| W211P3                     | DC211TT3                | 4    | 1-1/2      | 3.9370                 | 100                |
| W211PPB3                   | DS211TT3                | 1    | 1-1/2      | 3.9370                 | 100                |
| W211PP5                    | DC211TT5                | 3    | 1-1/2      | 4.0000                 | 101.6              |
| W211PPB6                   | DS211TT6                | 5    | 1-1/2      | 4.0772                 | 103.56             |

# Disc Harrow Bearings - Round Bore, Non-Regreasable



TYPE 1      TYPE 2      TYPE 3      TYPE 4      TYPE 5



Triple-lip seal

| Bearing Description Fafnir | Bearing Description BCA | Type | Shaft Size | Outer Dimension Inches | Outer Dimension MM |
|----------------------------|-------------------------|------|------------|------------------------|--------------------|
| W208PPB2                   | DS208TT21               | 2    | 1-1/2      | 3.1496                 | 80                 |
| W208PPB7                   | DS208TT7                | 2    | 1-3/16     | 3.1496                 | 80                 |
| W209PPB2                   | DS209TT2                | 1    | 1-3/4      | 3.3465                 | 85                 |
| W209PPB4                   | DS209TT4                | 1    | 1-1/2      | 3.3465                 | 85                 |
| W210PP2                    | DC210TT2                | 4    | 1-15/16    | 3.5433                 | 90                 |
| W210PPB2                   | DS210TT2                | 1    | 1-15/16    | 3.5433                 | 90                 |
| W210PPB9                   | DS210TT9                | 2    | 1-15/16    | 3.5433                 | 90                 |
| W211PP2                    | DC211TT2                | 4    | 2-3/16     | 3.9370                 | 100                |
| W211PPB2                   | DS211TT2                | 1    | 2-3/16     | 3.9370                 | 100                |

# Flange Bearings



## Square Bore - ST Series 4 Bolt Flange - Non-Greasable

| Item # | Description  | Shaft Size    | Bolt Circle | Bolt Size |
|--------|--|---------------|-------------|-----------|
| 45109  | ST208-1N w/triple lip seal - (individually boxed)    | 1" square     | 4.69"       | 1/2"      |
| 83554  | ST208-1N w/triple lip seal - (bulk pkg)              | 1" square     | 4.69"       | 1/2"      |
| 58518  | ST208 1-1/8 N w/triple lip seal (individually boxed) | 1-1/8" square | 4.69"       | 1/2"      |
| 83656  | ST208 1-1/8n w/triple lip seal (bulk pkg)            | 1-1/8" square | 4.69"       | 1/2"      |



## Round Bore - ST Series 4 Bolt Flange - Greasable

| Item # | Description  | Shaft Size    | Bolt Circle | Bolt Size |
|--------|--|---------------|-------------|-----------|
| 17888  | ST491A / FD209RA Disc Bearing w/triple lip seal            | 1-3/4" round  | 5"          | 1/2"      |
| 83555  | ST491A / FD209RA Disc Bearing w/triple lip seal (bulk pkg) | 1-3/4" round  | 5"          | 1/2"      |
| 86222  | FD209RM  | 1-1/8" square | 5"          | 1/2" sq.  |
| 86223  | FD211RM  | 1-1/2" square | 5-1/2"      | 1/2"      |



## Disc Harrow Bearing Assembly, Made to fit John Deere

| Item # | Description | Shaft Size | Description  |
|--------|-------------|------------|--|
| 72643  | AA30941     | 1-3/4"     | Includes Flange, Bearing, Gasket, 4 Bolts, 4 Nuts, and 4 Washers |

## Tapered Roller Bearings- "Cup"

| Item # | Cup      | O.D.   | Width |
|--------|----------|--------|-------|
| 28535  | 25520    | 3.265" | 0.75" |
| 17944  | JL-69310 | 2.48"  | 0.53" |
| 17942  | L-68111  | 2.36"  | 0.47" |
| 17939  | LM-67010 | 2.33"  | 0.47" |
| 17933  | L-44610  | 1.98"  | 0.42" |
| 17924  | LM-11910 | 1.78"  | 0.47" |



## Tapered Roller Bearings- "Cone"

| Item # | Cone     | Bore   | width |
|--------|----------|--------|-------|
| 18038  | 25580    | 1.75"  | 1.0"  |
| 17945  | JL-69349 | 1.50"  | 0.67" |
| 17943  | L-68149  | 1.38"  | 0.66" |
| 17940  | LM-67048 | 1.25"  | 0.66" |
| 17932  | L-44649  | 1.063" | 0.58" |
| 17931  | L-44643  | 1.0"   | 0.58" |
| 17925  | LM-11949 | 0.75"  | 0.75" |



## Radial Ball Bearings

| Item # | Description | shaft size (mm) | O.D. (mm) | width (mm) |
|--------|-------------|-----------------|-----------|------------|
| 17842  | 6203-2RS    | 17              | 40        | 12         |
| 17847  | 6204-2RS    | 20              | 47        | 14         |
| 17851  | 6205-2RS    | 25              | 52        | 15         |



## Special Ag Bearings

| Item # | Description | O.D. (mm) | I.D. (mm) | Width (mm) | BCA        | Fafnir   |
|--------|-------------|-----------|-----------|------------|------------|----------|
| 28117  | 202RRE      | 35        | 15        | 22.3       | 202RRE     | 202KRR8  |
| 17843  | 203KRR2     | 40        | 16.26     | 18.29      | 203RRRAR10 | 203KRR2  |
| 29233  | 203KRR5     | 40        | 13.08     | 18.29      | 203RRRAR8  | 203KRR5  |
| 34471  | 205NPP9     | 52        | 19.2      | 34.93      | 205TTB     | 205PP9   |
| 32629  | 205PPB7     | 52        | 23.94     | 34.93      | 205TTH     | 205PPB7  |
| 35352  | 205RVA      | 52        | 19.08     | 21.03      | 205RVA     | 205KRP2  |
| 17861  | 206GGH      | 62        | 19.25     | 24         | 206GGH     | 206KPP16 |





# Precision Single Strand Roller Chain

| Part Number  | ANSI Chain Number | Pitch     | Roller Dia.       | Width Between Inner Plates | Pin Dia.          | Pin Length       |                   | Inner Plate Depth | Plate Thick-ness | Ultimate Tensile Strength | Average Tensile Strength |
|--------------|-------------------|-----------|-------------------|----------------------------|-------------------|------------------|-------------------|-------------------|------------------|---------------------------|--------------------------|
|              |                   | P<br>inch | d1<br>max<br>inch | b1<br>min<br>inch          | d2<br>max<br>inch | L<br>max<br>inch | Lc<br>max<br>inch | h2<br>max<br>inch | T<br>max<br>inch | Q<br>min<br>lb            | Qo<br>lb                 |
|              | 25-1R             | 0.250     | 0.130             | 0.125                      | 0.091             | 0.311            | 0.331             | 0.236             | 0.031            | 787                       | 1034                     |
| 84981 (10')  | 35-1R             | 0.375     | 0.200             | 0.188                      | 0.141             | 0.488            | 0.519             | 0.236             | 0.051            | 1776                      | 2428                     |
| 84987 (10')  | 41-1R             | 0.500     | 0.306             | 0.246                      | 0.141             | 0.541            | 0.591             | 0.354             | 0.051            | 1499                      | 2833                     |
| 84988 (50')  |                   |           |                   |                            |                   |                  |                   |                   |                  |                           |                          |
| 84982 (10')  | 40-1R             | 0.500     | 0.313             | 0.309                      | 0.156             | 0.654            | 0.701             | 0.390             | 0.059            | 3170                      | 3934                     |
| 84984 (50')  |                   |           |                   |                            |                   |                  |                   |                   |                  |                           |                          |
| 84989 (10')  | 50-1R             | 0.625     | 0.400             | 0.370                      | 0.200             | 0.815            | 0.874             | 0.472             | 0.080            | 4991                      | 6609                     |
| 84991 (50')  |                   |           |                   |                            |                   |                  |                   |                   |                  |                           |                          |
| 84993 (50')  | 50H-1R            |           |                   |                            |                   |                  |                   |                   |                  |                           |                          |
| 84990 (100') |                   |           |                   |                            |                   |                  |                   |                   |                  |                           |                          |
| 84994 (10')  | 60-1R             | 0.750     | 0.469             | 0.495                      | 0.234             | 1.020            | 1.091             | 0.594             | 0.095            | 7149                      | 9330                     |
| 84995 (50')  |                   |           |                   |                            |                   |                  |                   |                   |                  |                           |                          |
| 84999 (10')  | 60H-1R            |           |                   |                            |                   |                  |                   |                   |                  |                           |                          |
| 85001 (10')  |                   |           |                   |                            |                   |                  |                   |                   |                  |                           |                          |
| 85002 (50')  | 80-1R             | 1.000     | 0.625             | 0.620                      | 0.312             | 1.287            | 1.378             | 0.709             | 0.128            | 12747                     | 15602                    |
| 85003 (10')  |                   |           |                   |                            |                   |                  |                   |                   |                  |                           |                          |
| 85005 (10')  | A2040             | 1.00      | 0.312             |                            |                   |                  |                   |                   |                  |                           |                          |
| 85006 (10')  | A2050             |           |                   |                            |                   |                  |                   |                   |                  |                           |                          |
| 85009 (10')  | 100-1R            | 1.250     | 0.750             | 0.744                      | 0.375             | 1.591            | 1.760             | 0.945             | 0.157            | 19896                     | 24549                    |
| 85012 (10')  | 120-1R            | 1.500     | 0.875             | 0.993                      | 0.437             | 1.980            | 2.138             | 1.181             | 0.189            | 28551                     | 35138                    |

# Precision Double Strand Roller Chain

| Part Number | ANSI Chain Number | Pitch     | Roller Dia.       | Width Between Inner Plates | Pin Dia.          | Pin Length       |                   | Inner Plate Depth | Plate Thick-ness | Trans-verse | Ultimate Tensile Strength | Average Tensile Strength |
|-------------|-------------------|-----------|-------------------|----------------------------|-------------------|------------------|-------------------|-------------------|------------------|-------------|---------------------------|--------------------------|
|             |                   | P<br>inch | d1<br>max<br>inch | b1<br>max<br>inch          | d2<br>max<br>inch | L<br>max<br>inch | Lc<br>max<br>inch | h2<br>max<br>inch | Pt<br>inch       | T<br>lb     | Q<br>min<br>lb            | Qo<br>min<br>lb./ft      |
|             | 25-2R             | 0.250     | 0.130             | 0.125                      | 0.091             | 0.57             | 0.59              | 0.236             | 0.031            | 0.252       | 1574                      | 1933                     |
|             | 35-2R             | 0.375     | 0.200             | 0.188                      | 0.141             | 0.89             | 0.92              | 0.236             | 0.051            | 0.399       | 3552                      | 4429                     |
|             | 41-2R             | 0.500     | 0.306             | 0.246                      | 0.141             | 1.01             | 1.06              | 0.354             | 0.051            | 0.470       | 2999                      | 3799                     |
|             | 40-2R             | 0.500     | 0.313             | 0.309                      | 0.156             | 1.22             | 1.27              | 0.390             | 0.059            | 0.566       | 6340                      | 8071                     |
|             | 50-2R             | 0.625     | 0.400             | 0.370                      | 0.200             | 1.53             | 1.59              | 0.472             | 0.080            | 0.713       | 9982                      | 13061                    |
| 85000 (10') | 60-2R             | 0.750     | 0.469             | 0.495                      | 0.234             | 1.92             | 1.99              | 0.594             | 0.095            | 0.897       | 14298                     | 18457                    |
|             |                   |           |                   |                            |                   |                  |                   |                   |                  |             |                           |                          |
|             | 80-2R             | 1.000     | 0.625             | 0.620                      | 0.312             | 2.47             | 2.53              | 0.709             | 0.128            | 1.153       | 25493                     | 31878                    |
|             | 100-2R            | 1.250     | 0.750             | 0.744                      | 0.375             | 3.01             | 3.17              | 0.945             | 0.157            | 1.408       | 39791                     | 49323                    |
|             | 120-2R            | 1.500     | 0.875             | 0.993                      | 0.437             | 3.77             | 3.93              | 1.181             | 0.189            | 1.789       | 57102                     | 70793                    |

# Nickel Plated & Stainless Steel Chain

| Part Number | ANSI Chain Number | Pitch     | Roller Dia.       | Width Between Inner Plates | Pin Dia.          | Pin Length       |                   | Inner Plate Depth | Plate Thick-ness | Ultimate Tensile Strength | Average Tensile Strength |
|-------------|-------------------|-----------|-------------------|----------------------------|-------------------|------------------|-------------------|-------------------|------------------|---------------------------|--------------------------|
|             |                   | P<br>inch | d1<br>max<br>inch | b1<br>min<br>inch          | d2<br>max<br>inch | L<br>max<br>inch | Lc<br>max<br>inch | h2<br>max<br>inch | T<br>max<br>inch | Q<br>min<br>lb            | Qo<br>lb                 |
| 89786 (10') | 50-1NP            | 0.625     | 0.400             | 0.370                      | 0.200             | 0.815            | 0.874             | 0.472             | 0.080            | 4991                      | 6609                     |
| 89789 (50') |                   |           |                   |                            |                   |                  |                   |                   |                  |                           |                          |
| 89790 (10') | 60-1SS            | 0.750     | 0.469             | 0.495                      | 0.234             | 1.020            | 1.091             | 0.594             | 0.095            | 7149                      | 9330                     |
| 89793 (50') |                   |           |                   |                            |                   |                  |                   |                   |                  |                           |                          |

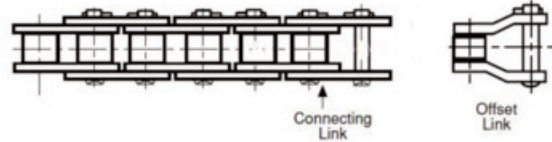
Available in 10' and 50' rolls. Connecting and offset links are available.

# Roller Chain



## Connecting Links- "Bagged"

|       | To Fit: | Qty. in pkg. |
|-------|---------|--------------|
| 85014 | 35-1R   | 2            |
| 85015 | 40-1R   | 2            |
| 85028 | 40-2R   | 2            |
| 85033 | 41-1R   | 2            |
| 85018 | 50-1R   | 2            |
| 85034 | 50-H1   | 2            |
| 85209 | 50-2R   | 2            |
| 85019 | 60-1R   | 1            |
| 85025 | 60-H1   | 1            |
| 85030 | 60-2R   | 1            |
| 85021 | 80-1R   | 1            |
| 85026 | 80-H1   | 1            |
| 85031 | 80-2R   | 1            |
| 85022 | 100-1R  | 1            |
| 85023 | 120-1R  | 1            |
| 80532 | A2040   | 2            |
| 85035 | A2050   | 2            |



## Offset Links- "Bagged"

| Item # | To Fit: | Qty. in pkg. |
|--------|---------|--------------|
| 85509  | 35-1R   | 2            |
| 85037  | 40-1R   | 2            |
| 85049  | 40-2R   | 2            |
| 85038  | 41-1R   | 2            |
| 85039  | 50-1R   | 2            |
| 85044  | 50-H1   | 2            |
| 85050  | 50-2R   | 2            |
| 85040  | 60-1R   | 1            |
| 85045  | 60-H1   | 1            |
| 85052  | 60-2R   | 1            |
| 85041  | 80-1R   | 1            |
| 85047  | 80-1H   | 1            |
| 85053  | 80-2R   | 1            |
| 85042  | 100-1R  | 1            |
| 85048  | 100-H1  | 1            |
| 85043  | 120-1R  | 1            |
| 85054  | A2040   | 2            |
| 85055  | A2050   | 2            |

## Connecting Links- "Bulk Boxed"

|       | To Fit: | Qty. in pkg. |
|-------|---------|--------------|
| 85492 | 35-1R   | 25           |
| 85493 | 40-1R   | 25           |
| 85494 | 41-1R   | 25           |
| 85495 | 50-1R   | 25           |
| 85496 | 50-2R   | 25           |
| 85497 | 60-1R   | 25           |
| 85498 | 60-H1   | 25           |
| 85499 | 60-2R   | 25           |
| 85500 | 80-1R   | 25           |
| 85501 | 80-H1   | 25           |
| 85502 | 80-2R   | 25           |
| 85027 | 100-H1  | 25           |
| 85503 | A2040   | 25           |
| 85504 | A2050   | 25           |

## Offset Links- "Bulk Boxed"

| Item # | To Fit: | Qty. in pkg. |
|--------|---------|--------------|
| 85510  | 40-1R   | 25           |
| 85511  | 41-1R   | 25           |
| 85512  | 50-1R   | 25           |
| 85513  | 50-2R   | 25           |
| 85515  | 60-1R   | 25           |
| 85516  | 60-H1   | 25           |
| 85517  | 60-2R   | 25           |
| 85518  | 80-1R   | 25           |
| 85519  | 80-1H   | 25           |
| 85520  | 80-2R   | 25           |





## #35 Roller Chain Sprockets

| Item # | Mfg #  | Description           | # of Teeth | Bore | Keyway        | Set Screw |
|--------|--------|-----------------------|------------|------|---------------|-----------|
| 16391  | 35B09H | 35BS9 X 3/8 SPROCKET  | 9          | 3/8" | 1/8" x 1/16"  | 1/4" NC   |
| 16392  | 35B10B | 35BS10 X 1/2 SPROCKET | 10         | 1/2" | 1/8" x 1/16"  | 1/4" NC   |
| 16393  | 35B12H | 35BS12 X 5/8 SPROCKET | 12         | 5/8" | 3/16" x 3/32" | 1/4" NC   |
| 16445  | 35B13H | 35B13H X 3/4 SPROCKET | 13         | 3/4" | 3/16" x 3/32" | 1/4" NC   |
| 16394  | 35B14H | 35BS14 X 3/4 SPROCKET | 14         | 3/4" | 3/16" x 3/32" | 1/4" NC   |
| 16395  | 35B16H | 35BS16 X 3/4 SPROCKET | 16         | 3/4" | 3/16" x 3/32" | 1/4" NC   |
| 16396  | 35B18H | 35BS18 X 1 SPROCKET   | 18         | 1"   | 1/4" x 1/8"   | 1/4" NC   |
| 16434  | 35B22H | 35BS22 X 3/4 SPROCKET | 22         | 3/4" | 3/16" x 3/32" | 1/4" NC   |



## #40 Roller Chain Sprockets

| Item # | Mfg #  | Chain #               | # of Teeth | Bore | Keyway        | Set Screw |
|--------|--------|-----------------------|------------|------|---------------|-----------|
| 16397  | 40B09H | 40BS9 X 5/8 SPROCKET  | 9          | 5/8" | 3/16" x 3/32" | 1/4" NC   |
| 16398  | 40B10H | 40BS10 X 3/4 SPROCKET | 10         | 3/4" | 3/16" x 3/32" | 1/4" NC   |
| 30330  | 40B11H | 40B11 X 5/8 SPROCKET  | 11         | 5/8" | 3/16" x 3/32" | 1/4" NC   |
| 16444  | 40B12H | 40BS12 X 5/8 SPROCKET | 12         | 5/8" | 3/16" x 3/32" | 1/4" NC   |
| 16425  | 40B12H | 40BH12 X 3/4 SPROCKET | 12         | 3/4" | 3/16" x 3/32" | 1/4" NC   |
| 16448  | 40B12H | 40BS12 X 3/4 SPROCKET | 12         | 3/4" | 1/4" x 1/8"   | 1/4" NC   |
| 16399  | 40B12H | 40BS12 X 1 SPROCKET   | 12         | 1"   | 1/4" x 1/8"   | 1/4" NC   |
| 16447  | 40B13H | 40BS13 X 3/4 SPROCKET | 13         | 3/4" | 3/16" x 3/32" | 1/4" NC   |
| 16400  | 40B13H | 40BS13 X 1 SPROCKET   | 13         | 1"   | 1/4" x 1/8"   | 1/4" NC   |
| 16401  | 40B14H | 40BS14 X 1 SPROCKET   | 14         | 1"   | 1/4" x 1/8"   | 1/4" NC   |
| 16430  | 40B15H | 40BS15 X 3/4 SPROCKET | 15         | 3/4" | 3/16" x 3/32" | 1/4" NC   |
| 16449  | 40B15H | 40BS15 X 3/4 SPROCKET | 15         | 3/4" | 1/4" x 1/8"   | 1/4" NC   |
| 16431  | 40B15H | 40BS15 X 1 SPROCKET   | 15         | 1"   | 1/4" x 1/8"   | 1/4" NC   |
| 16402  | 40B16H | 40BS16 X 1 SPROCKET   | 16         | 1"   | 1/4" x 1/8"   | 1/4" NC   |
| 31636  | 40B17H | 40B17 X 3/4 SPROCKET  | 17         | 3/4" | 3/16" x 3/32" | 1/4" NC   |
| 29315  | 40B17H | 40BS17 X 1 SPROCKET   | 17         | 1"   | 1/4" x 1/8"   | 1/4" NC   |
| 30329  | 40B18H | 40B18 X 3/4 SPROCKET  | 18         | 3/4" | 3/16" x 3/32" | 1/4" NC   |
| 31727  | 40B19H | 40BS19 X 1 SPROCKET   | 19         | 1"   | 1/4" x 1/8"   | 1/4" NC   |
| 16403  | 40B18H | 40BS18 X 1 SPROCKET   | 18         | 1"   | 1/4" x 1/8"   | 1/4" NC   |
| 16404  | 40B21H | 40BS21 X 1 SPROCKET   | 21         | 1"   | 1/4" x 1/8"   | 1/4" NC   |
| 16435  | 40B22H | 40BS22 X 3/4 SPROCKET | 22         | 3/4" | 3/16" x 3/32" | 1/4" NC   |
| 16405  | 40B22H | 40BS22 X 1 SPROCKET   | 22         | 1"   | 1/4" x 1/8"   | 1/4" NC   |
| 30538  | 40B23H | 40BS23 X 1" SPROCKET  | 23         | 1"   | 1/4" x 1/8"   | 1/4" NC   |
| 16406  | 40B24H | 40BS24 X 1 SPROCKET   | 24         | 1"   | 1/4" x 1/8"   | 1/4" NC   |
| 30331  | 40B28H | 40B28 X 3/4 SPROCKET  | 28         | 3/4" | 3/16" x 3/32" | 1/4" NC   |
| 16432  | 40B33F | 40BS33 X 1 SPROCKET   | 33         | 1"   | 1/4" x 1/8"   | 1/4" NC   |





## #41 Roller Chain Sprockets

| Item # | Mfg #  | Description         | # of Teeth | Bore | Keyway      | Set Screw |
|--------|--------|---------------------|------------|------|-------------|-----------|
| 16427  | 41B17H | 41BS17 X 1 SPROCKET | 17         | 1"   | 1/4" x 1/8" | 1/4" NC   |
| 16428  | 41B19H | 41BS19 X 1 SPROCKET | 19         | 1"   | 1/4" x 1/8" | 1/4" NC   |



## #50 Roller Chain Sprockets

| Item # | Mfg #  | Description              | # of Teeth | Bore    | Keyway        | Set Screw |
|--------|--------|--------------------------|------------|---------|---------------|-----------|
| 16407  | 50B09H | 50B09H X 3/4 SPROCKET    | 9          | 3/4"    | 3/16" x 3/32" | 1/4" NC   |
| 16408  | 50B11H | 50BS11 X 1 SPROCKET      | 11         | 1"      | 1/4" x 1/8"   | 1/4" NC   |
| 16409  | 50B12H | 50BS12 X 1 SPROCKET      | 12         | 1"      | 1/4" x 1/8"   | 1/4" NC   |
| 16410  | 50B13F | 50BS13 X 1 SPROCKET      | 13         | 1"      | 1/4" x 1/8"   | 1/4" NC   |
| 16411  | 50B14H | 50BS14 X 1 SPROCKET      | 14         | 1"      | 1/4" x 1/8"   | 1/4" NC   |
| 16426  | 50B14H | 50B14H X 1-3/16 SPROCKET | 14         | 1-3/16" | 1/4" x 1/8"   | 1/4" NC   |
| 16412  | 50B15F | 50BS15 X 1 SPROCKET      | 15         | 1"      | 1/4" x 1/8"   | 1/4" NC   |
| 16413  | 50B18H | 50BS18 X 1 SPROCKET      | 18         | 1"      | 1/4" x 1/8"   | 1/4" NC   |
| 16414  | 50B19H | 50BS19 X 1 SPROCKET      | 19         | 1"      | 1/4" x 1/8"   | 1/4" NC   |
| 16416  | 50B22F | 50BS22 X 1 SPROCKET      | 22         | 1"      | 1/4" x 1/8"   | 1/4" NC   |
| 16417  | 50B24H | 50BS24 X 1 SPROCKET      | 24         | 1"      | 1/4" x 1/8"   | 1/4" NC   |



## #60 Roller Chain Sprockets

| Item # | Mfg #  | Description             | # of Teeth | Bore   | Keyway      | Set Screw |
|--------|--------|-------------------------|------------|--------|-------------|-----------|
| 16438  | 60B12H | 60BS12 X 1 SPROCKET     | 12         | 1"     | 1/4" x 1/8" | 1/4" NC   |
| 16439  | 60B13H | 60BS13 X 1 SPROCKET     | 13         | 1"     | 1/4" x 1/8" | 1/4" NC   |
| 16423  | 60B14F | 60BS14 X 1 SPROCKET     | 14         | 1"     | 1/4" x 1/8" | 1/4" NC   |
| 16418  | 60B15H | 60BS15 X 1 SPROCKET     | 15         | 1"     | 1/4" x 1/8" | 1/4" NC   |
| 16436  | 60B16H | 60BS16 X 1 SPROCKET     | 16         | 1"     | 1/4" x 1/8" | 1/4" NC   |
| 16419  | 60B18H | 60BS18 X 1 SPROCKET     | 17         | 1"     | 1/4" x 1/8" | 1/4" NC   |
| 16421  | 60B19H | 60BS19 X 1-1/4 SPROCKET | 19         | 1-1/4" | 1/4" x 1/8" | 1/4" NC   |
| 16422  | 60B23H | 60BS23 X 1 SPROCKET     | 23         | 1"     | 1/4" x 1/8" | 1/4" NC   |